

How To Cable Compatibility

Power Adapters & Redundant Power Supplies

FORTINET®



Power Adapters & Redundant Power Supplies

Models	Spare/Redundant Power Supplies Option*	Associated Power Cords
FG/FWF-20C, 30D	SP-FG20C-PA-XX	N.A
FG/FWF-30D-POE	SP-FG30D-POE-PDC	SP-FG60CPCOR-XX
FG/FWF-30E, FG/FWF-50E, FG/FWF-51E	SP-FG30E-PA-XX	N.A
FG/FWF-40F/-3G4G	SP-FG-40F-PA-10(-XX)	N.A
FG-52E, FG-50E-2R, FG-30E-3G4G	SP-FG52E-PA-XX	N.A
FG/FWF 60E/61E, 60F/61F, FG-80E/81E and FG-80F/81F	SP-FG60E-PDC-5	SP-FG60CPCOR-XX
FG/FWF-60D-POE	SP-FG60D-POE-PDC	SP-FG60CPCOR-XX
FG-80D	SP-FG80D-PDC	SP-FG60CPCOR-XX
FG-60E-POE, FG-80/81E-POE, FG-80/81E-POE, FG-80/81F-POE, FWF-81F-2R-POE, FWF-81F-2R-3G4G-POE	SP-FG80E-POE-PDC	SP-FG60CPCOR-XX
FWF-80/81F-2R, FWF-80/81F-2R-3G4G-DSL	SP-FWF80F-PDC-5	SP-FG60CPCOR-XX
FG/FWF-90D-POE, FG-70D-POE	SP-FG90D-POE-PDC	SP-FG60CPCOR-XX
FG-140E-POE	FRPS-740-FG (max 2 units)	N.A
FG-200D/240D/280-POE	FRPS-740-FG (max 2 units)	N.A
FG-100/101F, FG-200/201F	Not Applicable	SP-FGPCOR-XX
FG-300/400/500/600E Series	SP-FG300E-PS (additional as option)	SP-FGPCOR-XX



Power Adapters & Redundant Power Supplies

Models	Spare/Redundant Power Supplies Option*	Associated Power Cords
FG-600C, 800C	SP-FG600C-PS (additional as option)	SP-FGPCOR-XX
FG-600C-DC, FG-800C-DC	SP-FG600C-DC-PS (additional as option)	N.A
FG-800D	SP-FG600C-PS (additional as option)	SP-FGPCOR-XX
FG-1000C, FG-1000C-DC	SP-FG600C-PS, SP-FG600C-DC-PS (spare)	SP-FGPCOR-XX
FG-900D/1000D	SP-FXX1000D	SP-FGPCOR-XX
FG-1100/1101E	SP-FG300E-PS (spare)	SP-FGPCOR-XX
FG-1200D, FG-1500D, FG-1500DT	SP-FG1200D-S (spare)	SP-FGPCOR-XX
FG-1240B, FG-3040B, FG-3140B	SP-FG1240B-PS (spare)	SP-FGPCOR-XX SP-FGPCORHE-XX for 3K
FG-1800/1801F	SP-FG1800F-PS (spare)	SP-FGPCORHE-XX
FG-2200/2201E	SP-FG3800D-PS (spare)	SP-FGPCORHE-XX
FG-2600/2601F	SP-FG1800F-PS (spare)	SP-FGPCORHE-XX
FG-3000D, FG-3100D, FG-3240C, 3200D	SP-FG3000D-PS (spare)	SP-FGPCORHE-XX
FG-3300/3301E, FG-3400/3401E, FG-3600/3601E, FG-3500/3501F	SP-FG3800D-PS (Spare)	SP-FGPCORHE-XX
FG-3700D, FG-3700D-DC	SP-FG3800D-PS, SP-FG3800D-DC-PS (spare)	SP-FGPCORHE-XX N.A





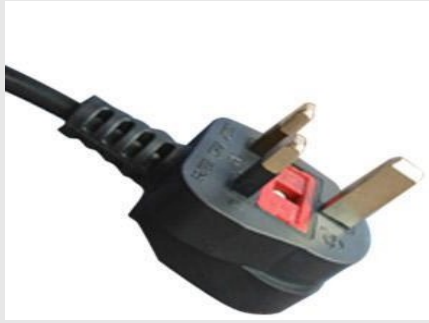




Power Adapters & Redundant Power Supplies

Models	Spare/Redundant Power Supplies Option*	Associated Power Cords
FG-3800D,3810D,3815D	SP-FG3800D-PS (spare)	SP-FGPCORHE-XX
FG-3810A, FG-3810A-DC	SP-FG3810A-PS, SP-FG3810A-DC-PS (spare)	SP-FGPCORHE-XX N.A
FG-3950B, FG-3951B	SP-FG3950B-PS (spare)	SP-FGPCORC15-XX
FG-3960E FG-3980E	FG-7040E-PS-AC (spare) FG-7040E-PS-DC (spare)	SP-FGPCORC15-XX N.A
FG-4000F/6000F Series	SP-FG4000F-PS SP-FG4000F-DC-PS	SP-FGPCORC15-XX N.A
FG-7030E FG-7040E	FG-7040E-PS-AC FG-7040E-PS-DC	SP-FGPCORC15-XX N.A
FG-7060E	FG-7060E-PS-AC	SP-FGPCORC15-XX



Power Cords

C14 Inlet		SP-FGPCOR-US SP-FGPCORHE-US**	SP-FGPCOR-UK SP-FGPCORHE-UK**	SP-FGPCOR-EU SP-FGPCORHE-EU**	SP-FGPCOR-AU SP-FGPCORHE-AU**
C15 Inlet		SP-FGPCORC15-US SP-FGPCORC15-JP	SP-FGPCORC15-UK	SP-FGPCORC15-EU	SP-FGPCORC15-AU
*C6 Inlet		SP-FG60CPCOR-US	SP-FG60CPCOR-UK	SP-FG60CPCOR-EU	SP-FG60CPCOR-AU
		NEMA 5-15	BS 1363	CEE7 VII	AS/NZS 3112
		Type B	Type G	Type C, E, F, K	Type I
					

http://en.wikipedia.org/wiki/AC_power_plugs_and_sockets

<https://www.worldstandards.eu/electricity/plug-voltage-by-country/>

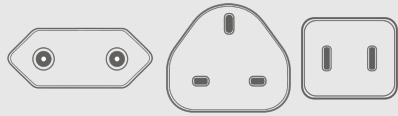
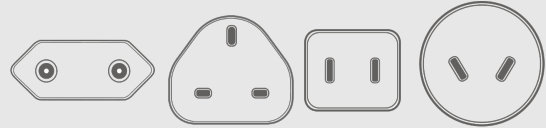


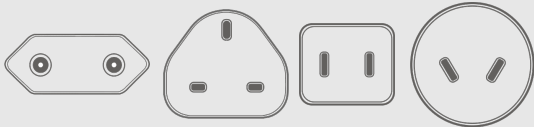
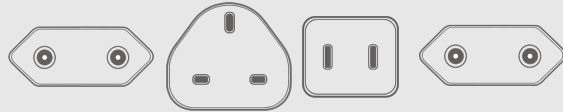

* For FG-60C and FG/FWF-40C, FG/FWF-60D, 60E, 60F , 80F & FG/FWF-90D Series

* For FG-40F series use power adapter with interchangeable sockets (Refer to next slide)

** For FG-1800F to FG-3800 Series



Power Cords

SP-FG-40F-PA-10	SP-FG-40F-PA-10-AU	SP-FG-40F-PA-10-KR	SP-FG-40F-PA-10-IN
			
EU (Type C, E, K), UK (Type G), US/JP (Type A)	EU (Type C, E, K), UK (Type G), US/JP (Type A), AU (Type I)	EU (Type C, E, K), UK (Type G), US/JP (Type A), KR (Type F)	EU (Type C, E, K), UK (Type G), US/JP (Type A), IN (Type C - India Specific)
SP-FG-40F-PA-10-AR	SP-FG-40F-PA-10-BR	SP-FG-40F-PA-10-CN	
			
EU (Type C, E, K), UK (Type G), US/JP (Type A), AR (Type I - Argentina Specific)	EU (Type C, E, K), UK (Type G), US/JP (Type A), BR (Type N)	EU (Type C, E, K), UK (Type G), US/JP (Type A), CN (Type A - China Specific)	

http://en.wikipedia.org/wiki/AC_power_plugs_and_sockets
<https://www.worldstandards.eu/electricity/plug-voltage-by-country/>

